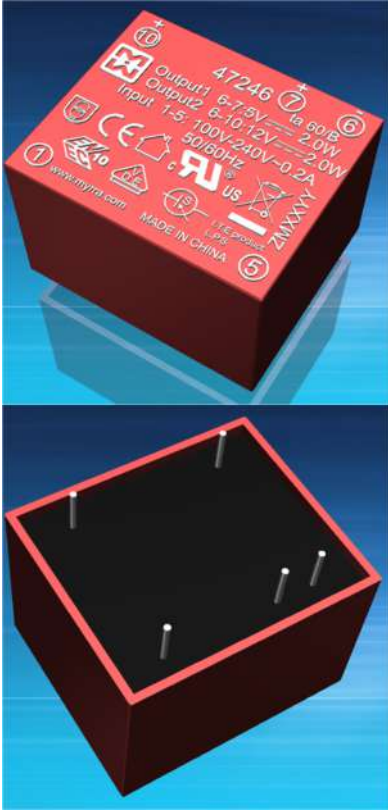


# TWO COMMON OUTPUT 3W TO 5W - REGULATED



Power Supplies



## MAIN FEATURES:

- 3W to 5W Small Compact Size - PCB Mount
- Two Common Outputs - Regulated
- Output Voltage Accuracy: see table
- Input Range : 85VAC - 265VAC/47 - 63Hz Or 120VDC - 370VDC
- Very Low Standby Power Consumption < 0.2W
- High Energetic Efficiency: Meets the requirements of Energy Star and the EC Code of Conduct
- Encapsulated Design and same footprint as EI30 Transformer: Upgrade your Application without redesigning the PCB
- Safety: Meets all requirements of IEC/EN61558-2-16, IEC/EN60335-1, IEC/EN62368-1, IEC/EN60950-1, UL60950-1, CAN/CSA C22.2 No. 60950-1-07, CE, VDE, ENEC Mark
- Materials: Uses UL 94-VO Plastic and Resin
- EMC : Conducted and Radiated Emission conform to EN55014, EN55032, CLASS B, IEC/EN61000-3-2 CLASS A, EN61000-3-3,
- Immunity conforms to EN61000-4-2, IEC/EN61000-4-3, EN61000-4-4, EN61000-4-5, EN61000-4-6, EN61000-4-11
- Operating Altitude Up To 5000 meter

## DATA SHEET



Reference	Output 1 Output 2 (DC Volts)	Output 1 Output 2 (DC mA)	Output Power (W)	Output 1 Output 2 accuracy	Efficiency (%)	Ta (°C)
47243	+10.5 +7	380 max 100 max	4.7	$\pm 2\%$ $\pm 5\%$	72	+50
47244	+15 +7	300 max 70 max	5	$\pm 2\%$ $\pm 5\%$	73	+50
47243	+10.5 +7	315 max 100 max	4	$\pm 2\%$ $\pm 5\%$	72	+60
47244	+15 +7	234max 70 max	4	$\pm 2\%$ $\pm 5\%$	73	+60
47245	+12 +5.5	130max 300 max	3.2	$\pm 3\%$ $\pm 5\%$	65	+70
47246	+5 +12	400(600max) 170max	4	$\pm 3\%$ $\pm 5\%$	65	+60
47247	+15 -15	130max 130max	4	$\pm 3\%$ $\pm 3\%$	73	+60

**NOTE : Other output voltage are available upon request**

Please refer to MYRRA's website and catalogue for MYRRA SMPS application notes.

The information contained in this document is subject to change without notice.

[www.myrra.com](http://www.myrra.com)  
[www.myrra-powersupplies.com](http://www.myrra-powersupplies.com)  
 contact us: [contact@myrra.com](mailto:contact@myrra.com)

# TWO COMMON OUTPUT 3W TO 5W - REGULATED



Power Supplies

Model : Two Common Outputs 3 TO 5W		Specifications
AC Input Characteristics	Rated Input Voltage	100~240 VAC or 140VDC-340VDC
	Input Voltage Range	85~265VAC or 120VDC-370VDC
	Input Frequency Range	47Hz~63Hz
	Rated AC Input Frequency	50/60Hz
	Input Current	0.2A Max@85VAC~265VAC, at full load
	Standby Power	0.2W Max (Meets the requirements of Energy Star and the EC Code Of Conduct)
DC Output Characteristics	Output Voltage Accuracy	See table
	Cross-Load Regulation	See P/N specification
	Turn On Delay	2S max @ 85VAC~265VAC input and DC output with full load
	Efficiency	See table (meets the requirements of Energy Star and the EC Code Of Conduct)
	Over Current Protection	The power supply shall automatically protect. The power supply shall auto-recovery normal operation after the fault is removed. No excessive heat, odour, or plastic deformation shall occur, with no safety hazard
Protection Characteristics	Output Short Circuit Protection	The power supply shall withstand a continuous output short without damage for 24 hours. The short may be applied before power on, or after power on. The power supply shall resume normal operation after the short is removed, no excessive heat, odour, or plastic deformation shall occur, with no safety hazard
Environmental	Over Temperature Protection	The power supply shall shut down when the junction temperature of PWM controller exceeds the thermal shutdown temperature, typically 140°C ±10°C
	Operation Temperature	-25°C~ +Ta (see table)
	Operation Humidity	10~90% RH (non condensing) @ full load

Please refer to MYRRA's website and catalogue for MYRRA SMPS application notes.

The information contained in this document is subject to change without notice.

[www.myrra.com](http://www.myrra.com)

[www.myrra-powersupplies.com](http://www.myrra-powersupplies.com)

contact us: [contact@myrra.com](mailto:contact@myrra.com)

# TWO COMMON OUTPUT 3W TO 5W - REGULATED



Power Supplies

	Storage Temperature	-10°C to +35°C
	Storage Humidity	< 75%RH
<b>Safety &amp; EMC Requirement</b>	Dielectric Strength	Primary to Secondary: 4000VAC 5mA, 3 sec.
	Radiation	Meeting EN55032, EN55014, Class B. under 3dB margin
	Conduction	Meets EN55032, EN55014, Class B. under 3dB margin
	Harmonic Current Disturbance	Meets IEC/EN61000-3-2:2019, Class A
	Voltage Fluctuation And Flicker	Meets EN61000-3-3:2013
	Electrostatic Discharge	Meets EN61000-4-2:2009 Contact Discharge ±4KV, Air Discharge ±8KV
	RF Field Strength Susceptibility	Meets IEC/EN61000-4-3:2019
	Electrical Fast Transient	Meets EN61000-4-4:2012, ±1KV
	Lightning Surge	Meets EN61000-4-5:2014, ±1KV (line to line) <i>Note: surge level can be extended to 6KV with an external circuit – please refer to Myrra's website and catalogue for MYRRA SMPS application notes</i>
	Conducted Susceptibility	Meets EN61000-4-6:2014
	Voltage Dips And Interruptions	Meets EN61000-4-11:2004
	Safety Standards	Meets all requirements of Meets all requirements of : UL60950-1, CAN/CSA C22.2 No.60950-1-07, IEC/EN62368-1 IEC/EN61558-2-16, IEC/EN60335-1, CE, VDE, ENEC Mark VDE Approval No. 40034334 UL Approval No. E345767
<b>Reliability Requirement</b>	MTBF	550K Hours Min. @230VAC input, 25deg.C <i>Calculated in accordance with MIL-HDBK-217-F2</i>
	Burn-in-Test	The unit shall be burned in for 2~5hours under 230VAC input and DC with full load at an ambient temperature of 30~45 degrees C
<b>Net Weight</b>	Approximately 30 grams per product unit	
<b>Guarantee</b>	This product is in accordance with the European RoHS & REACH directives	

Please refer to MYRRA's website and catalogue for MYRRA SMPS application notes.

The information contained in this document is subject to change without notice.

[www.myrra.com](http://www.myrra.com)

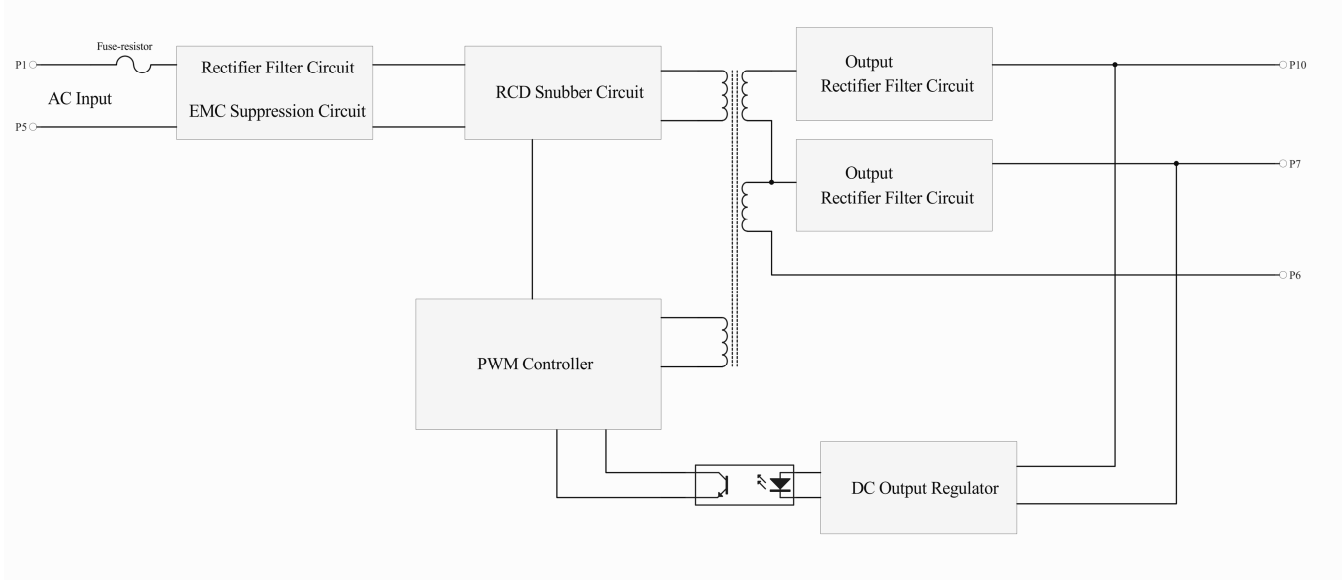
[www.myrra-powersupplies.com](http://www.myrra-powersupplies.com)  
contact us: [contact@myrra.com](mailto:contact@myrra.com)

# TWO COMMON OUTPUT 3W TO 5W - REGULATED



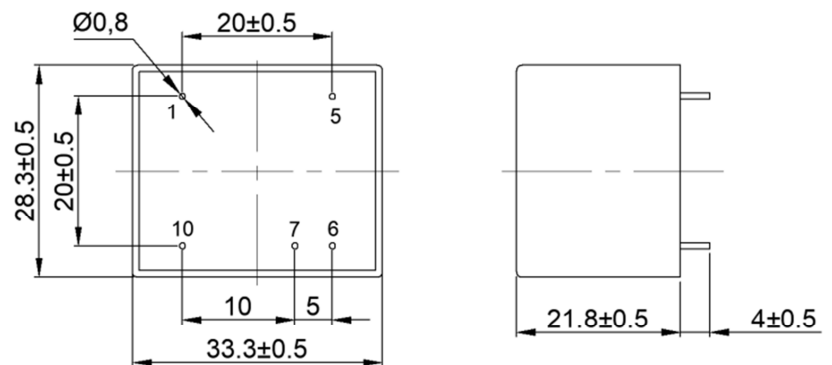
Power Supplies

## SCHEMATIC



## DIMENSIONS AND PINOUT 5 PINS

- PRI :  
Pins 1-5: AC or DC Input
- SEC  
Pin 6 : DC Output 1&2 0V:  
Pin 7 : DC Output 1 +V  
Pin 10 : DC Output 2 + V



View From Pins Side

Pease refer to MYRRA's website and catalogue for MYRRA SMPS application notes.

The information contained in this document is subject to change without notice.

[www.myrra.com](http://www.myrra.com)

[www.myrra-powersupplies.com](http://www.myrra-powersupplies.com)

contact us: [contact@myrra.com](mailto:contact@myrra.com)