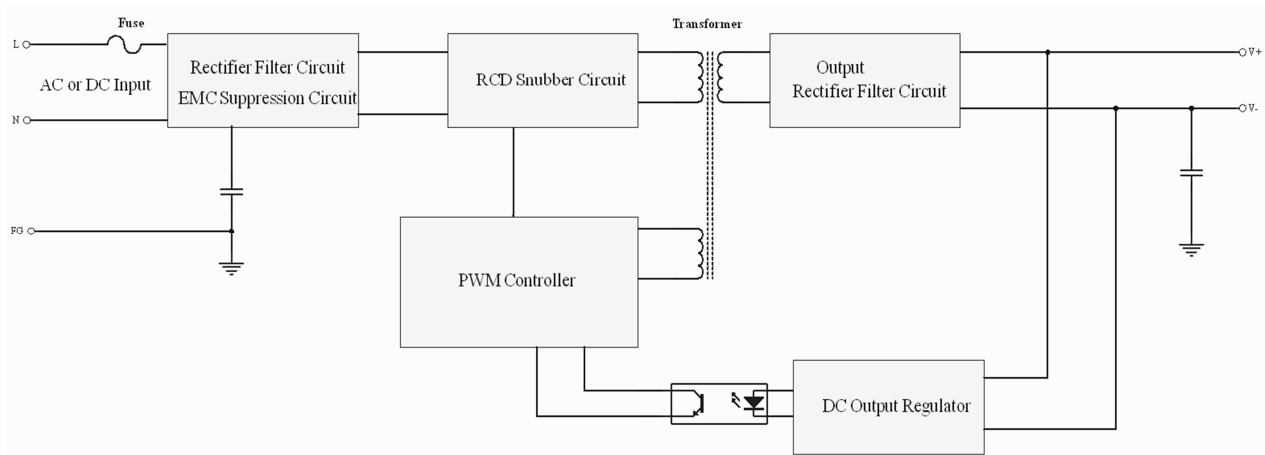


# AC/DC INDUSTRIAL POWER SUPPLY-100W

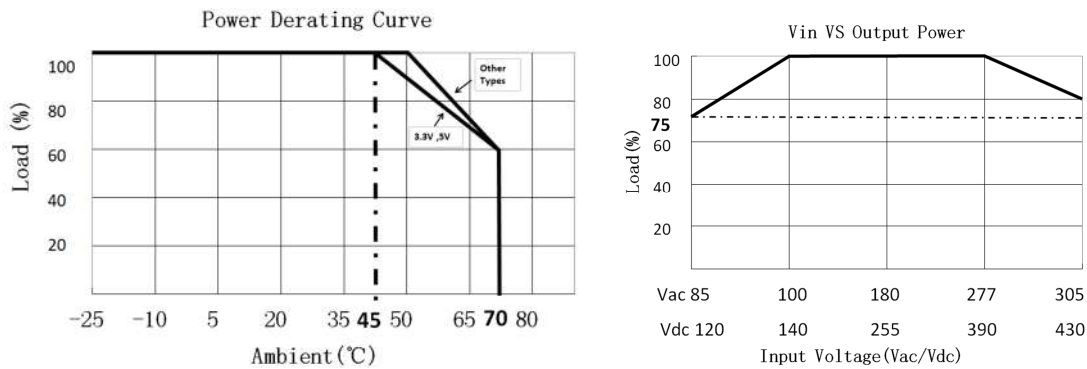


Power Supplies

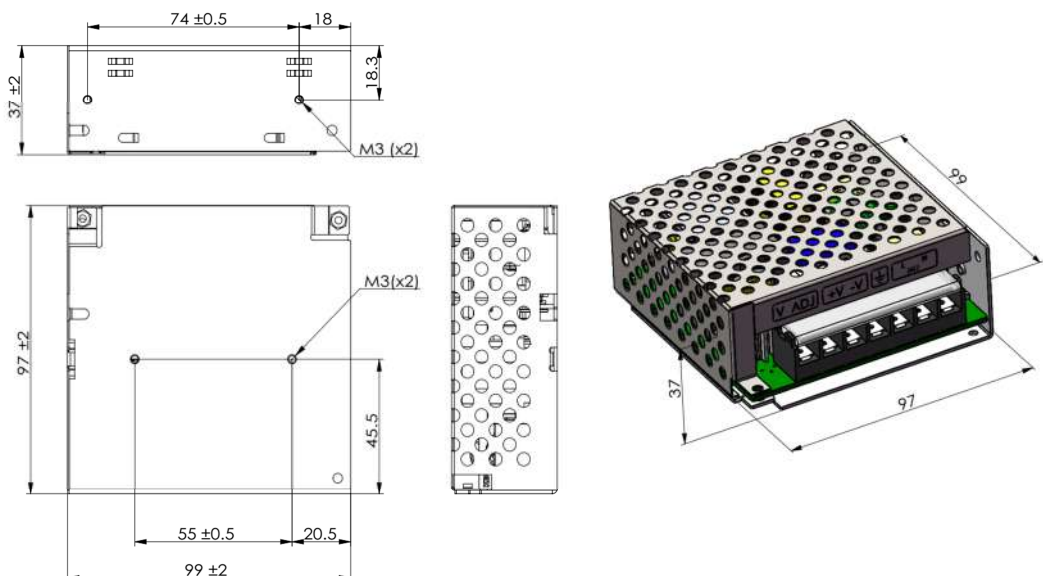
## SCHEMATIC



## DERATING GRAPH



## DIMENSIONS



Please refer to MYRRA's website and catalogue for MYRRA SMPS application notes.

The information contained in this document is subject to change without notice.

[www.myrra.com](http://www.myrra.com)