

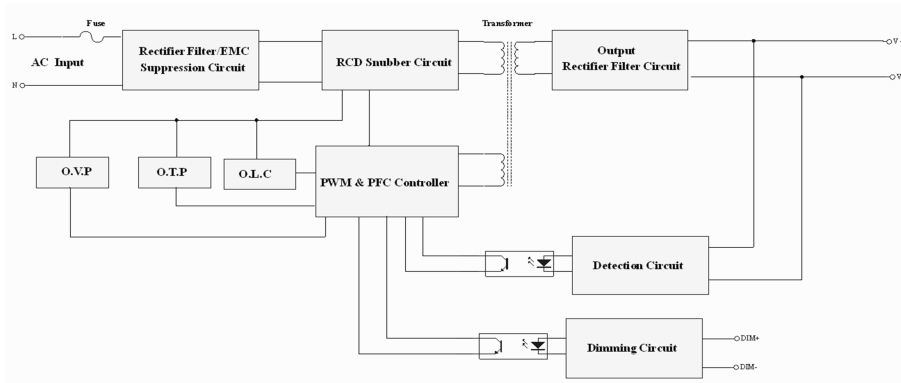
LED DRIVER - 65W SERIES

IP65 design for indoor or outdoor installations

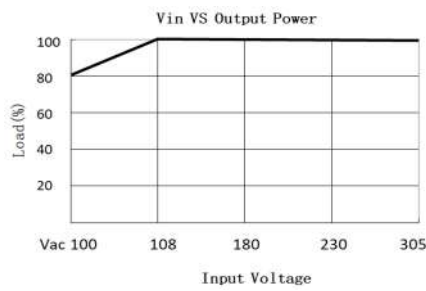
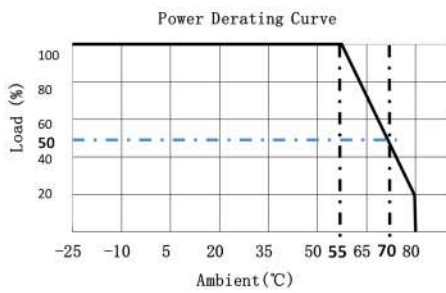


Power Supplies

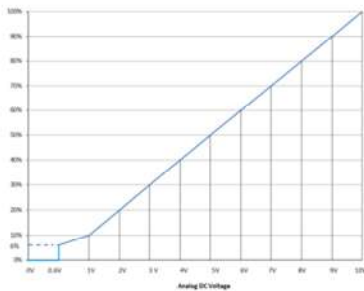
SCHEMATIC



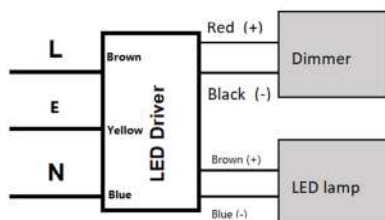
DERATING GRAPH



DIMMING GRAPH



WIRING DIAGRAM



Please refer to MYRRA's website and catalogue for MYRRA SMPS application notes. The information contained in this document is subject to change without notice.

www.myrra.com

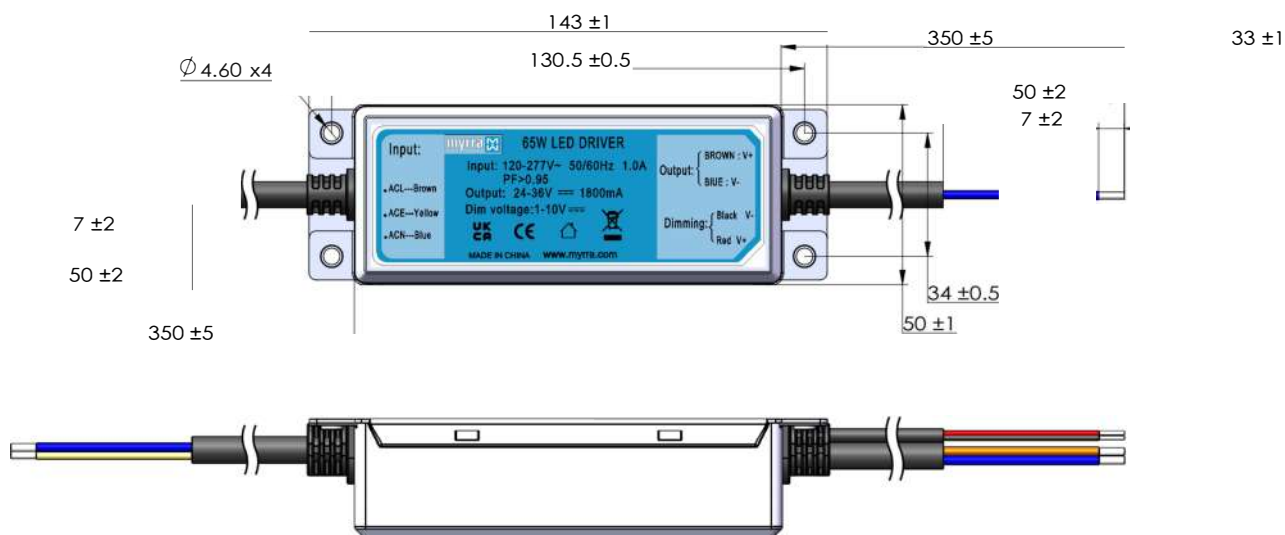
LED DRIVER - 65W SERIES

IP65 design for indoor or outdoor installations



Power Supplies

DIMENSIONS



Please refer to MYRRA's website and catalogue for MYRRA SMPS application notes.
The information contained in this document is subject to change without notice.

www.myrra.com